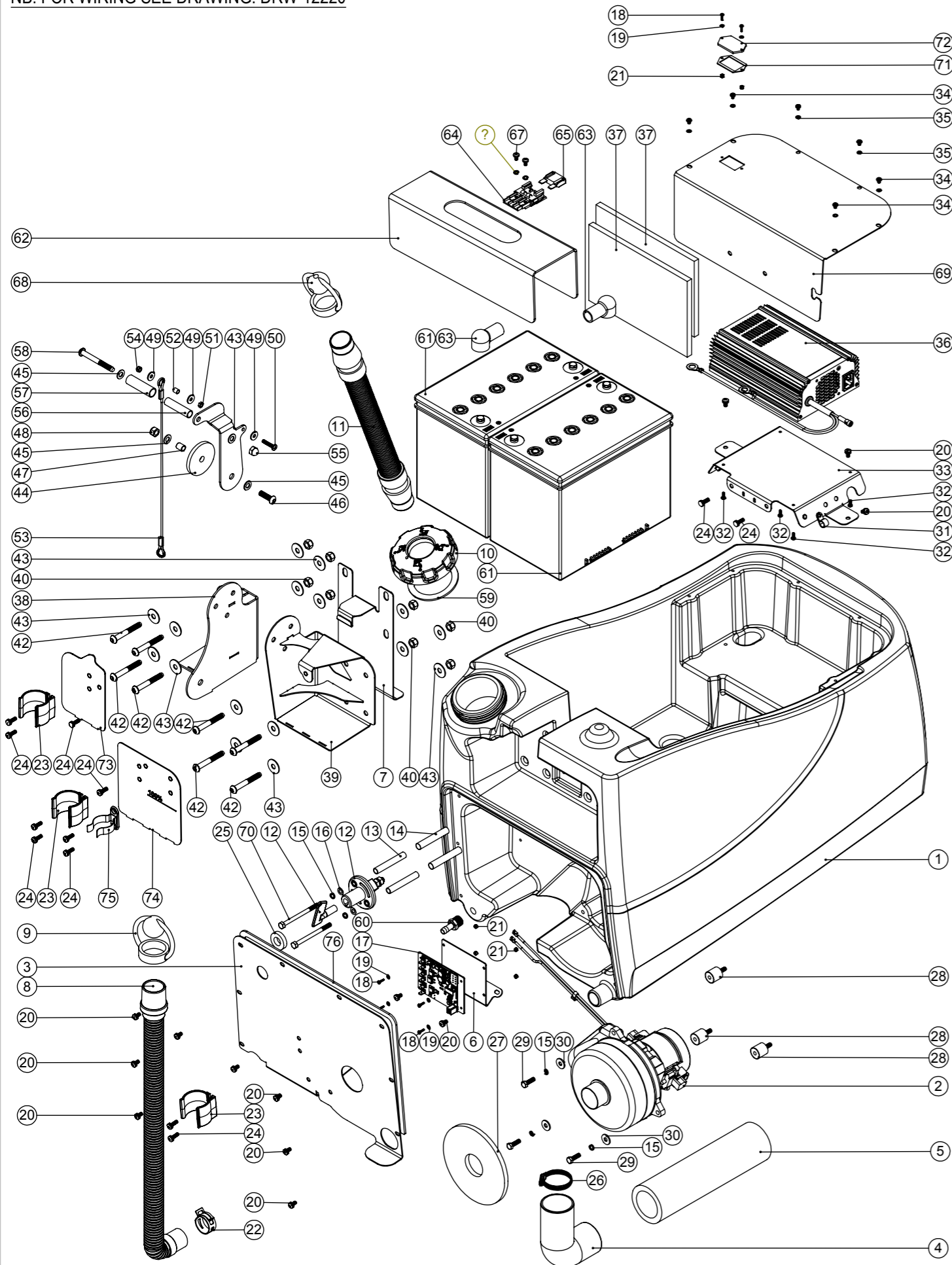


Numatic International Spare Parts

Model No: ETB4045/60 BOTTOM TANK / BATTERIES / VAC MOTOR & CHARGER ASSEMBLY

234948
DRAWING: DRW-13553 ISS:A03
16/06/2014

NB: FOR WIRING SEE DRAWING: DRW-12220



WARNING
 Seek guidance from Numatic team before use.
 Technical information supplied as guidance for use by suitably qualified personnel only.
 Numatic International Limited accepts no liability for misuse or negligence.

Numatic International Spare Parts

Model No: ETB4045/60 BOTTOM TANK / BATTERIES / VAC MOTOR & CHARGER ASSEMBLY

ITEM:	PART No:	DESCRIPTION	COMMENTS:
1	237484	TTB4045/4055 RED BOTTOM TANK MOULDING	WITH LOGO
	237296	TTB4045/4055 BLUE BOTTOM TANK MOULDING (EP)	WITHOUT LOGO
2	321686	24V TANGENTIAL DISCHARGE 2-STAGE VAC MOTOR C/W 320MM & 415MM LONG WIRES	
3	304463	NUTSERTED REAR BAY COVER PLATE (NO HOURS VERSION) PAINT GREY	
4	208571	DIP MOULDED ELBOW	
5	208306	SILENCER FOAM TUBE	
6	404113	POWER ELECTRONICS MOUNT BRACKET PAINTED GREY	
7	404167	WIRE COVER PLATE PAINTED GREY	
8	213025	600MM - 630MM LONG DUMP HOSE ASSEMBLY	
9	206111	HOSE CLOSURE	
10	237174	FILLER CAP (WITH MIDDLE HOLE)	
11	206842	420MM LONG BLACK STRETCH HOSE C/W CUFFS	
12	206746	MASTER KEY SWITCH & KEY	
13	391442	10MM O/D X 1MM WALL THICKNESS S/STEEL TUBE CUT TO LENGTH (0.065)	
14	321633	65MM LONG X 10MM I/D BLACK PVC SLEEVING	
15	219718	M6 STAINLESS STEEL SPRING WASHER	
16	219007	M6 FORM B WASHER	
17	208468	TTB 1840 DC DRIVE PCB	
18	219031	M3 X 10MM LONG POZI PAN SCREW	
19	219237	M3 FORM A WASHER	
20	219047	M5 X 10MM LONG POZI PAN SEMS SCREW	
21	219070	M3 NYLON INSERT NUT	
22	208471	CONSTANT TENSION CLIP	
23	237382	ACETAL HOSE CLIP MOULDING	
24	219045	M5 X 16MM LONG POZI PAN SEMS SCREW	
25	202116	ISOLATOR WASHER GASKET	
26	219529	STAINLESS STEEL HOSE CLAMP (45MM - 60MM)	
27	208477	MOTOR PAD	
28	208576	AV MOUNT MALE TO FEMALE M6	
29	219455	M6 X 20MM LONG HEX HEAD SCREW	
30	219008	M6 FORM G WASHER	
31	219393	P CLIP	
32	219301	No6 X 3/8 INCH LONG POZI PAN SELF TAP SCREW	
33	304422	NUTSERTED CHARGER PLATE - PAINTED GREY	
34	219697	M4 X 8MM LONG POZI PAN STAINLESS STEEL SCREW	
35	219015	M4 SHAKEPROOF WASHER	
36	321904	230V/24V/10 AMP HF NORD CHARGER (SHORTER SLEEVING & LONGER WIRES)	
	321903	110-120V/24V/10 AMP HF NORD CHARGER (SHORTER SLEEVING & LONGER WIRES)	
37	208645	FOAM BATTERY SPACER	
38	304425	NUTSERTED HANDLE MOUNT (LH) WELD ASSEMBLY Z/PL	
39	304424	NUTSERTED HANDLE MOUNT (RH) WELD ASSEMBLY Z/PL	
40	219078	M8 NYLON INSERT NUT	
43	221154	M8 FORM C WASHER	
42	219917	M8 X 60MM LG Z/PL SOCKET BUTTON HEAD BOLT	
43	392234	FLOOR TOOL LIFTING HANDLE	
44	392160	SQUEEGEE LIFT WASHER	
45	219578	M8 FORM A STAINLESS STEEL WASHER	
46	219555	M8 X 25MM LONG SOCKET BOLT	
47	208650	FLOOR TOOL LIFT BUSH	
48	219639	M8 STAINLESS STEEL NYLON INSERT NUT	
49	219005	M5 FORM G WASHER	
50	219057	M5 X 25MM LONG POZI PAN SCREW	
51	219721	M5 STAINLESS STEEL FULL NUT	
52	219508	SPIROL SPACER	
53	208573	360MM LONG LIFTING LINK WIRE	
54	219633	M5 STAINLESS STEEL NYLON INSERT NUT	
55	219077	M8 DOMENUT	
56	391093	52MM LONG VAC MOTOR SPACER	
57	391131	53MM LONG BLACK NYLON TUBE	
58	219806	M8 X 70MM LONG SOCKET BUTTON HEAD BOLT	
59	208564	FILLER CAP SEALING RING	
60	219389	3/8 BSPP MALE C/W UNDERCUT & O RING TO 10.5MM HOSETAIL	
61	221053	60 A/H BATTERY	
62	392297	ETB BATTERY SPACER	
63	206861	RED PVC TERMINAL CAP	
64	230102	FUSE HOLDER RATED AT 60 AMPS	
65	221107	50 AMP MAXI FUSE (RED)	
66	219648	M5 SINGLE COIL WASHER	
67	219864	M5 X 8MM LONG POZI PAN SCREW	
68	304439	PROCESSED HOSE CLOSURE	
69	404117	CHARGER COVER PLATE PAINTED GREY	
70	219915	M6 X 80MM LONG STAINLESS STEEL HEXAGONAL HEAD BOLT	
71	208577	HOURS METER GASKET	
72	392357	TTB CHARGER VIEWING GLASS	
73	304426	NUTSERTED HANDLE MOUNT DOOR (LH) PAINTED GREY	
74	304427	NUTSERTED HANDLE MOUNT DOOR (RH) PAINTED GREY	
75	206818	HOSE CLIP	
76	212052	3MM THICK X 9MM WIDE INSEAL - 900MM	