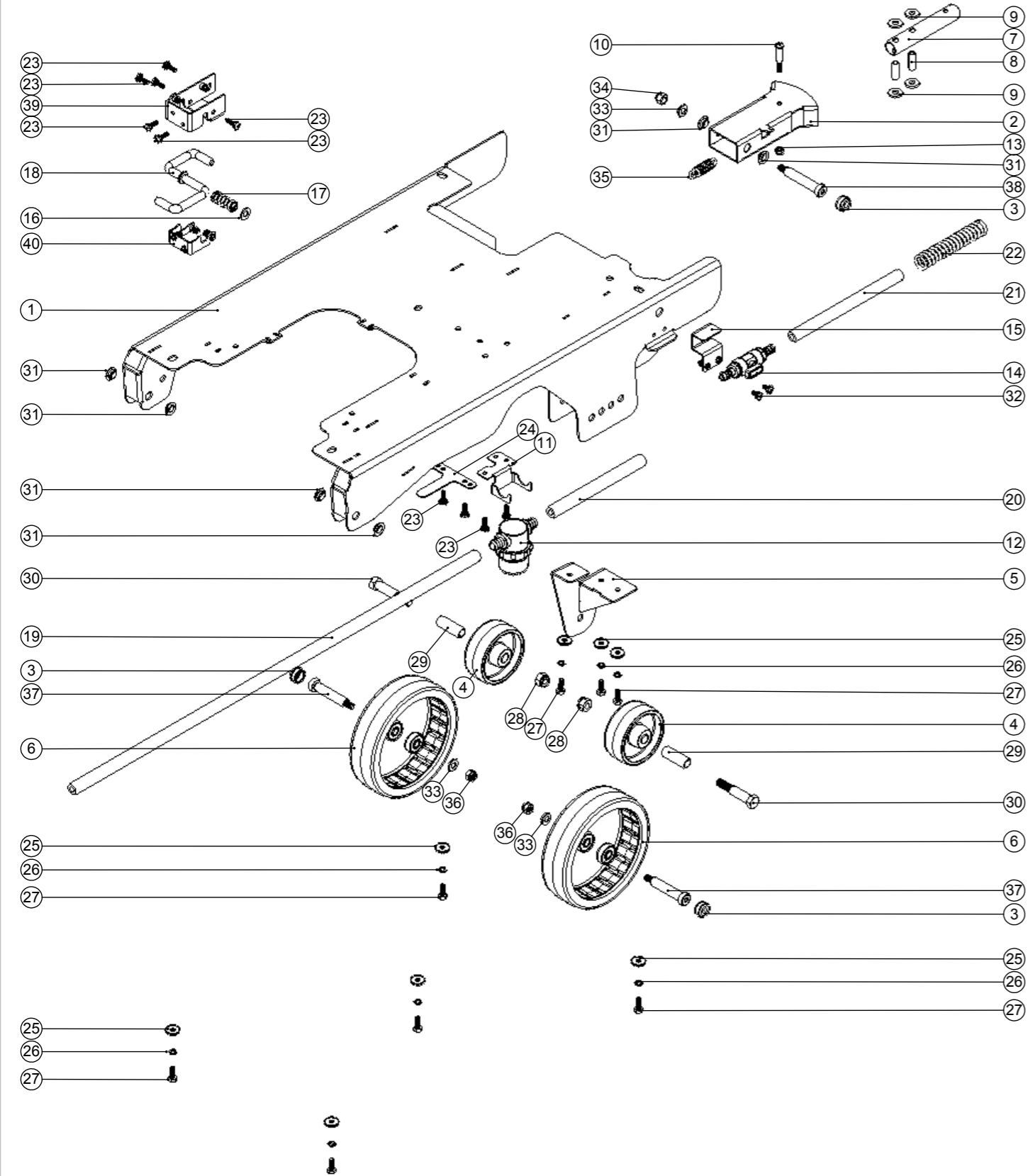


Numatic International Spare Parts

Model No: ETB4045/60 & ETB1120 & TTB4045/100S & TTB1117 & TTB4055/100S & TTB1120 CHASSIS ASSEMBLY EXPLODED DRAWING

234943
DRAWING: DRW-13495 ISS: A01
20/03/2013

NB: FOR WIRING SEE DRAWING: DRW-12220, DRW-12901, DRW-11379,



Numatic International Spare Parts

Model No: ETB4045/60 & ETB1120 & TTB4045/100S & TTB1117 & TTB4055/100S & TTB1120 CHASSIS ASSEMBLY EXPLODED DRAWING

ITEM:	PART No:	DESCRIPTION	COMMENTS:
1	304328	TTB4045 / TTB4455 STAINLESS STEEL CHASSIS WELDED ASSEMBLY	TTB MACHINES
	304383	ETB MILD STEEL CHASSIS WELDED ASSEMBLY PAINTED GREY	ETB MACHINES
2	304359	TT/TTB/4045/4055 SQUEEGEE MOUNT WELD ASSEMBLY	
3	237632	SHOULDER BOLT COVER	
4	206713	80MM DIAMETER BLACK WHEEL	
5	304360, 304384	TRANSPORT WHEEL BRACKET	TTB MACHINES
	404152	MILD STEEL PAINTED GREY TRANSPORT WHEEL BRACKET WELD ASSEMBLY	ETB MACHINES
6	208638	160MM DIAMETER WHEEL / POLYURETHANE TYRE	
7	304356	FLOOR TOOL PIVOT TUBE	
8	206954	SPIRO SPACER	
9	206964	SLIDE NYLON SPACER	
10	219807	M6 X 40MM LONG SOCKET BUTTON HEAD BOLT	
11	392199	FILTER BRACKET	
12	208575	STRAINER	
13	219853	M6 NYLOC HALF NUT (STAINLESS STEEL)	
14	208761	10MM PUSH FIT TO 10MM HOSE TAIL BALL VALVE ASSEMBLY	
15	304453	NUTSERTED 10MM TAP BRACKET	
16	219010	M8 FORM A WASHER	
17	208578	DECK LOCK SPRING	
18	304358	DECK LOCK BAR WELD ASSEMBLY	
19	391453	SILICON TUBE 750MM LONG X 8MM I/D X 3.2MM WALL SECTION	
20	391452	SILICON TUBE 170MM LONG X 8MM I/D X 3.2MM WALL SECTION	
21	391481	200MM LONG BRAIDED PVC HOSE	
22	219333	COMPRESSION SPRING	
23	219045	M5 X 16MM LONG POZI PAN SEMS SCREW	
24	321902	SILENCER CLAMP	
25	219647	M6 FORM G STAINLESS STEEL WASHER	
26	219718	M6 STAINLESS STEEL SPRING WASHER	
27	219719	M6 X 16MM LONG HEXAGONAL STAINLESS STEEL HEAD BOLT	
28	219649	M10 NYLON INSERT NUT	
29	391440	1/2 INCH X 18G X 41MM LONG STAINLESS STEEL SPACER TUBE	
30	219894	M10 X 60MM LONG HEXAGONAL STAINLESS STEEL BOLT	
31	208312	IGUS BEARING (GFM 101205)	
32	219047	M5 X 10MM LONG POZI PAN SEMS SCREW	
33	219578	M8 FORM A STAINLESS STEEL WASHER	
34	219639	M8 STAINLESS STEEL NYLON INSERT NUT	
35	208619	FLOOR TOOL SPRING	
36	219857	M8 NYLON INSERT HALF NUT	
37	291057	M8 X 10 X 55MM LONG HEX SOCKET SHOULDER BOLT	
38	208574	M8 X 10 X 60MM LONG HEX SOCKET SHOULDER BOLT	
39	304409	NUTSERTED DECK LOCK BAR GUIDE	
40	304411	NUTSERTED LOCK BAR CLAMP	



WARNING
Seek guidance from Numatic team before use.
Technical information supplied as guidance for use by suitably qualified personnel only.
Numatic International Limited accepts no liability for misuse or negligence.

